

# COBRA ENGINE CHANGE SYSTEM

## TECHNICAL DATA

Long Primary version, long Secondary version [TP91G1A]

### PERFORMANCE

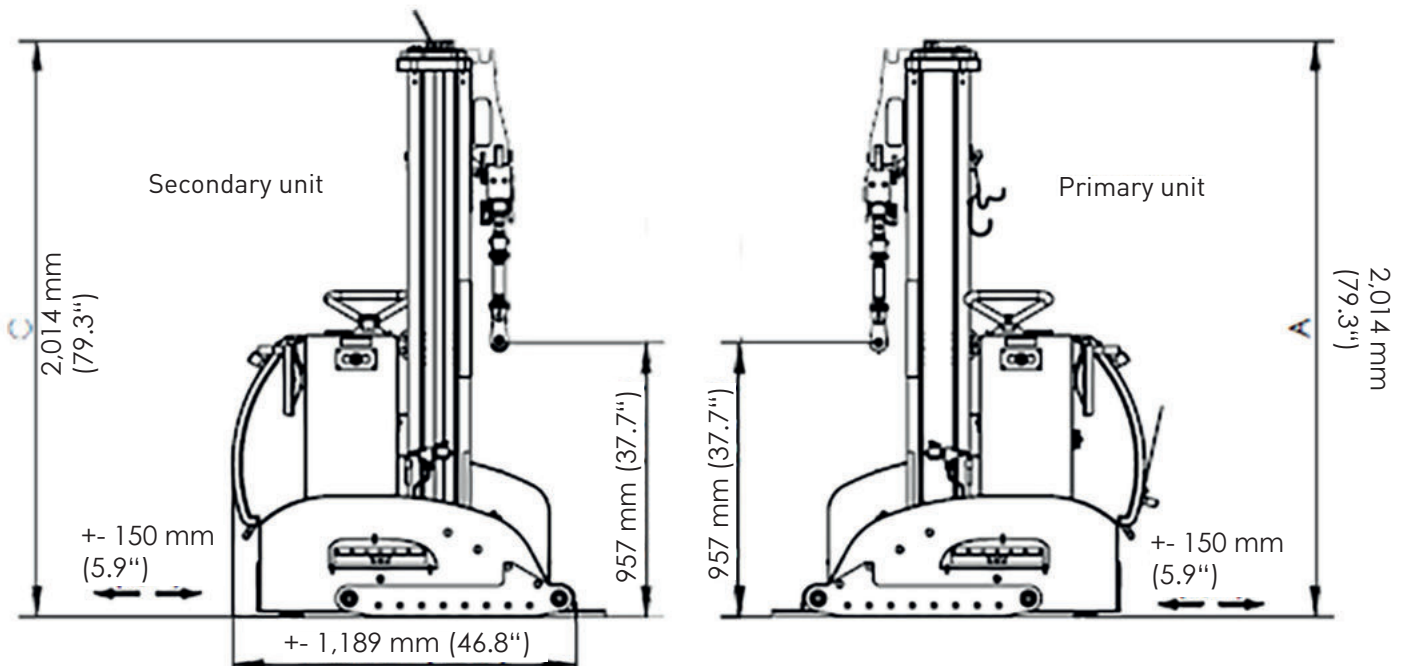
Nominal capacity	16.3 t (36,000 lbs)
Max. lift stroke	2,800 mm (110.2")
Lifting speed	5 mm (0.2")/ sec or 10 mm (0.4")/ sec in fast mode
Power supply	3/ PE AC 50 Hz 380-420 V
	or 3/ PE AC 60 Hz 440-480 V

### MOVEABILITY

Max. longitudinal movement	+/- 120 mm (4.7")
Max. transversal movement	+/- 150 mm (5.9")
Max. inclination	10°

### WEIGHT

Weight Primary unit	1,200 kg (2,600 lbs)
Weight Secondary unit	1,100 kg (2,400 lbs)



## Long Primary version, ultra-short Secondary version [TP91G1F]

### PERFORMANCE

Nominal capacity	16.3 t (36,000 lbs)
Max. lift stroke long Primary	2,800 mm (110,2")
Max. lift stroke ultra-short Secondary	1,700 mm (67")
Lifting speed	5 mm (0.2")/ sec or 10 mm (0.4")/ sec in fast mode
Power supply	3/ PE AC 50 Hz 380-420 V or 3/ PE AC 60 Hz 440-480 V

### MOVEABILITY

Max. longitudinal movement	+/- 120 mm (4.7")
Max. transversal movement	+/- 150 mm (5.9")
Max. inclination	10°

### WEIGHT

Weight Primary unit	1,200 kg (2,600 lbs)
Weight Secondary unit	1,000 kg (2,200 lbs)

